

## 77 34 150 Installing luggage plate

+ 77 34 650

Equipment trim-level variant:

Luggage plate<sup>OA</sup>

### Preparatory work

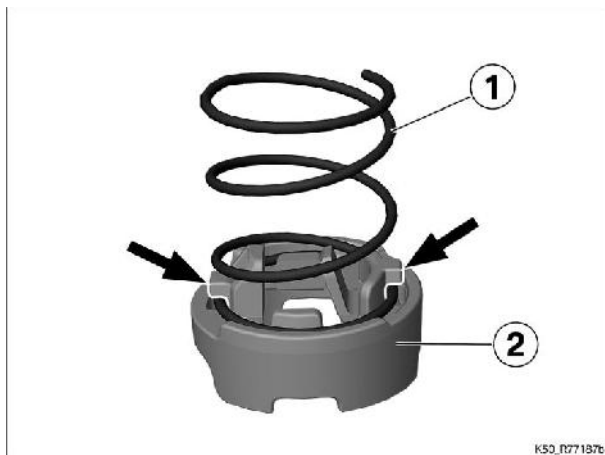
Removing rear seat

Removing luggage carrier

Removing screws for rear carrier

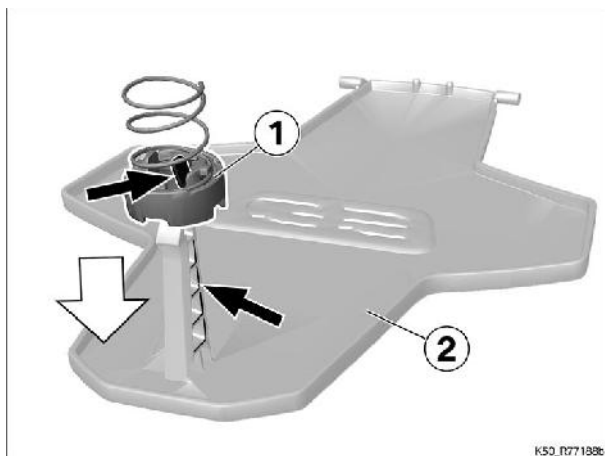
### Core activity

#### (-) Preparing cap



K50\_R27137b

- Slightly over-tension spring (1) so that spring (1) sits beneath the lugs (arrows) of adapter (2).



K50\_R27138b

- Install spring adapter (1) with the spring in cap (2). Make sure that the lug (arrow) is toward the open side (arrow).

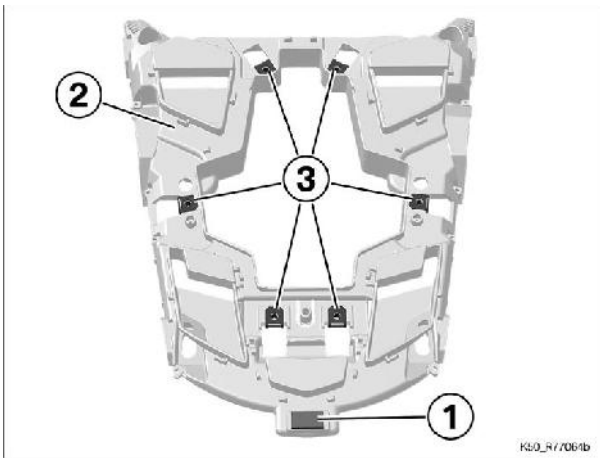
#### (-) Preparing carrier plate and cover

- Peel backing paper off spacer adhesive strips (1).
- Centre spacer adhesive strips (1) on carrier plate (2) and briefly press them down.

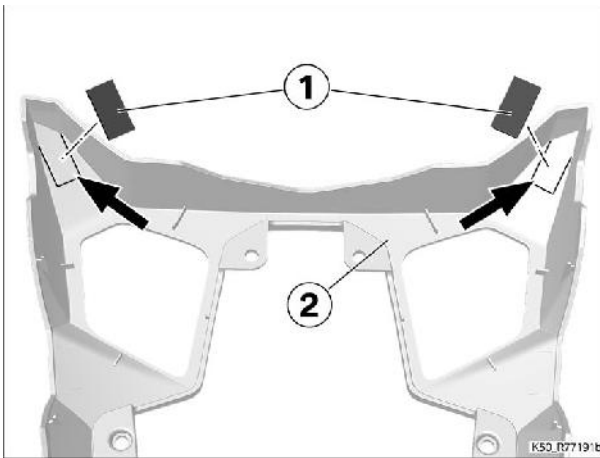


#### Note

Faces that will be in contact with the adhesive must be dry and free from dust and grease.



- Install flat nuts (3) in carrier plate (2).

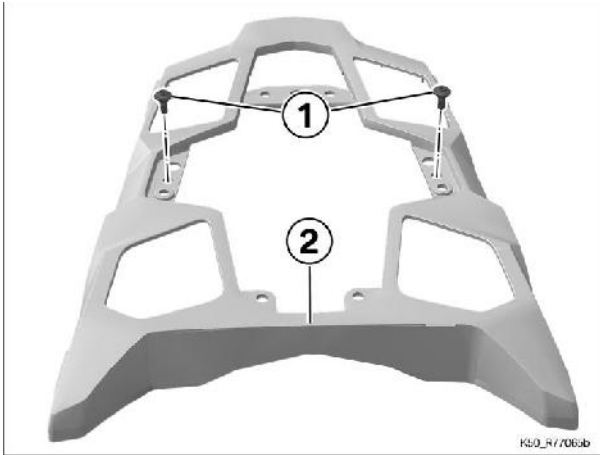


- Peel backing paper off spacer adhesive strips (1).
- Position spacer adhesive strips (1) at the marks (arrows) on the inside of cover (2) and briefly press them down.



**Note**

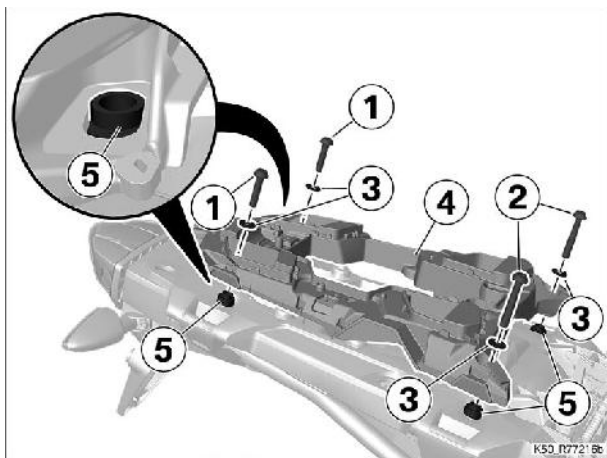
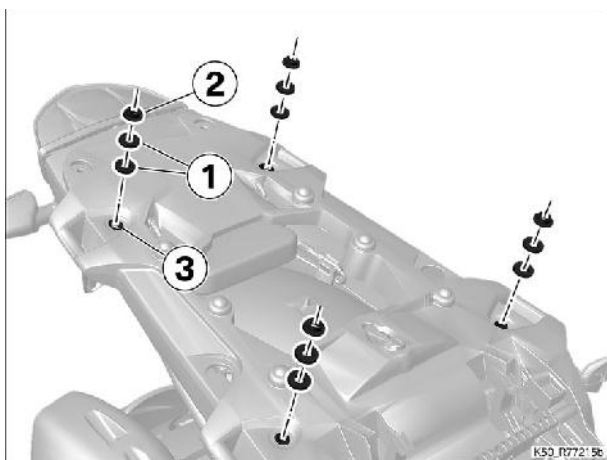
Faces that will be in contact with the adhesive must be dry and free from dust and grease.



- Install damping elements (1) in cover (2).

**(-) Install the luggage rack**

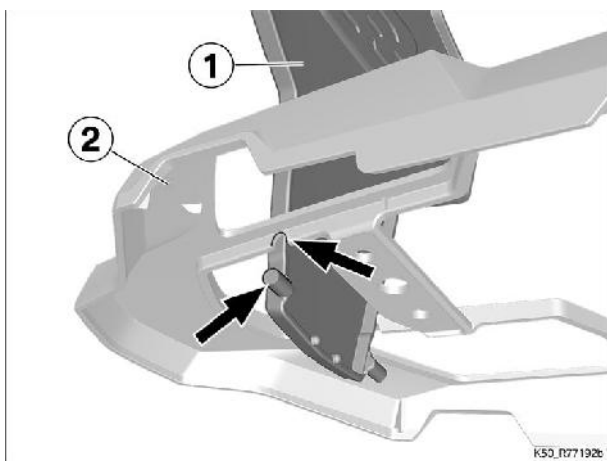
- Position spacing bushings (1) and shouldered bushings (2) on bushings (3) for the rear carrier.



- Insert short screws (1) at the back with washers (3) and long screws (2) at the front with washers (3) into carrier plate (4).
- Install carrier plate (4). Make sure that shouldered bushings (5) are correctly seated.
- Tighten short screws (1) and long screws (2) in diagonally opposite sequence.

Tightening torques		
Carrier plate to rear frame		
M8 x 35	19 Nm	
M8 x 50	19 Nm	

► Inserting lid into cover panel

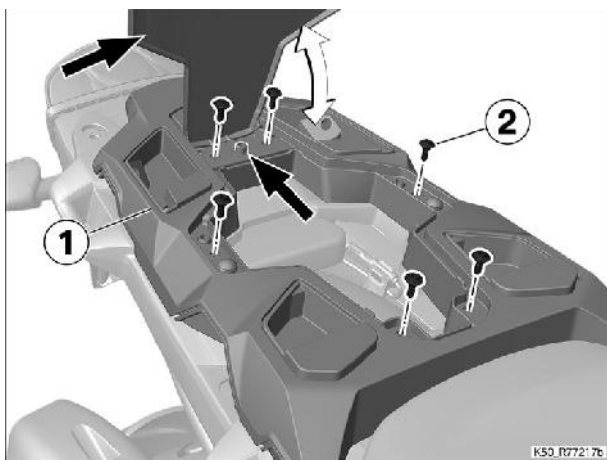


- Insert lid (1) into cover panel (2) and seat the guide pin (arrow) at the cutout (arrow) in cover panel (2) for installation.



- Place cover panel (1) with open lid (arrow) in position.
- Install screws (2).

Tightening torques		
Cover to carrier plate		
M5 x 14.5	2 Nm	



- Close the lid (arrow).
- » Lid engages with an audible click.

### Finishing work

Final check of work performed